

Code F5009X7

**THERMOSTATIC MIXER FOR CONCEALED  
INSTALLATION WITH 2/3 OUTLETS  
DIVERTER LINE OLIVIA**

- exposed part only
- 2/3 outlets diverter
- **built-in part to be ordered separately**

**Finishing**

-  CHROM  
CR
-  BRUSHED NICKEL  
SN
-  GOLD  
OR
-  BRUSHED GOLD  
OS
-  OLD BRONZE  
BR
-  ANTIQUE COPPER  
RA

**IMAGE**

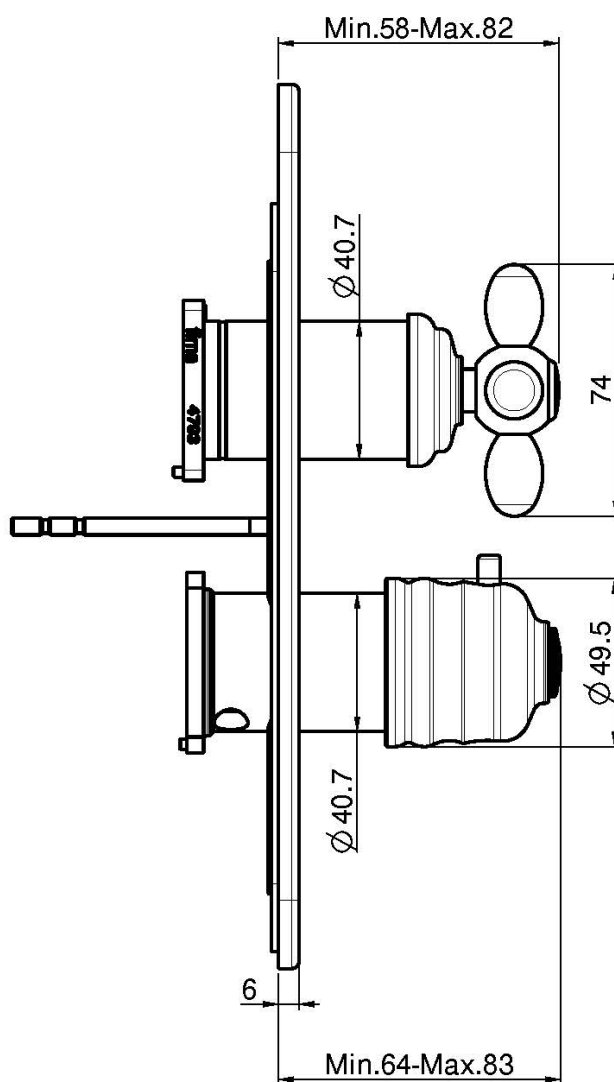
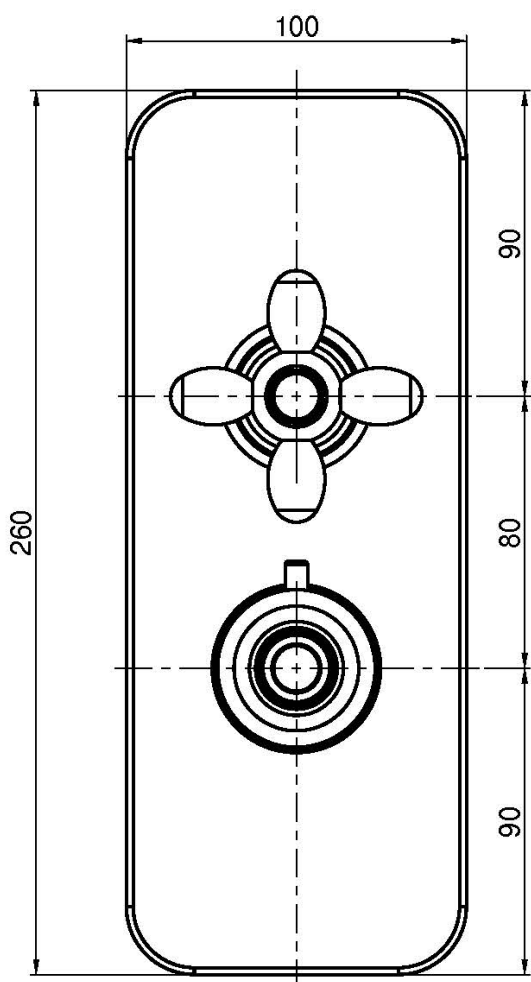


**PRODUCTS NEEDED TO BE ORDERED  
SEPARATELY**

Built-in part



See the general sales conditions in our current pricelist



This drawing is the property of FIMA Carlo Frattini. Any complete or partial reproduction, or any transmission to third party without FIMA Carlo Frattini authorization is forbidden.

