

Code F3049NX3



## THERMOSTATIC BATH AND SHOWER MIXER FOR CONCEALED INSTALLATION 2 OUTLETS WITH SHOWER SET

- exposed part only
- wall shower holder with water connection
- ABS handshower with antilimestone nozzles
- diverter
- Chromalux flexible hose 1500 mm
- **built-in part to be ordered separately**

### IMAGE

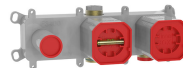


### Finishing

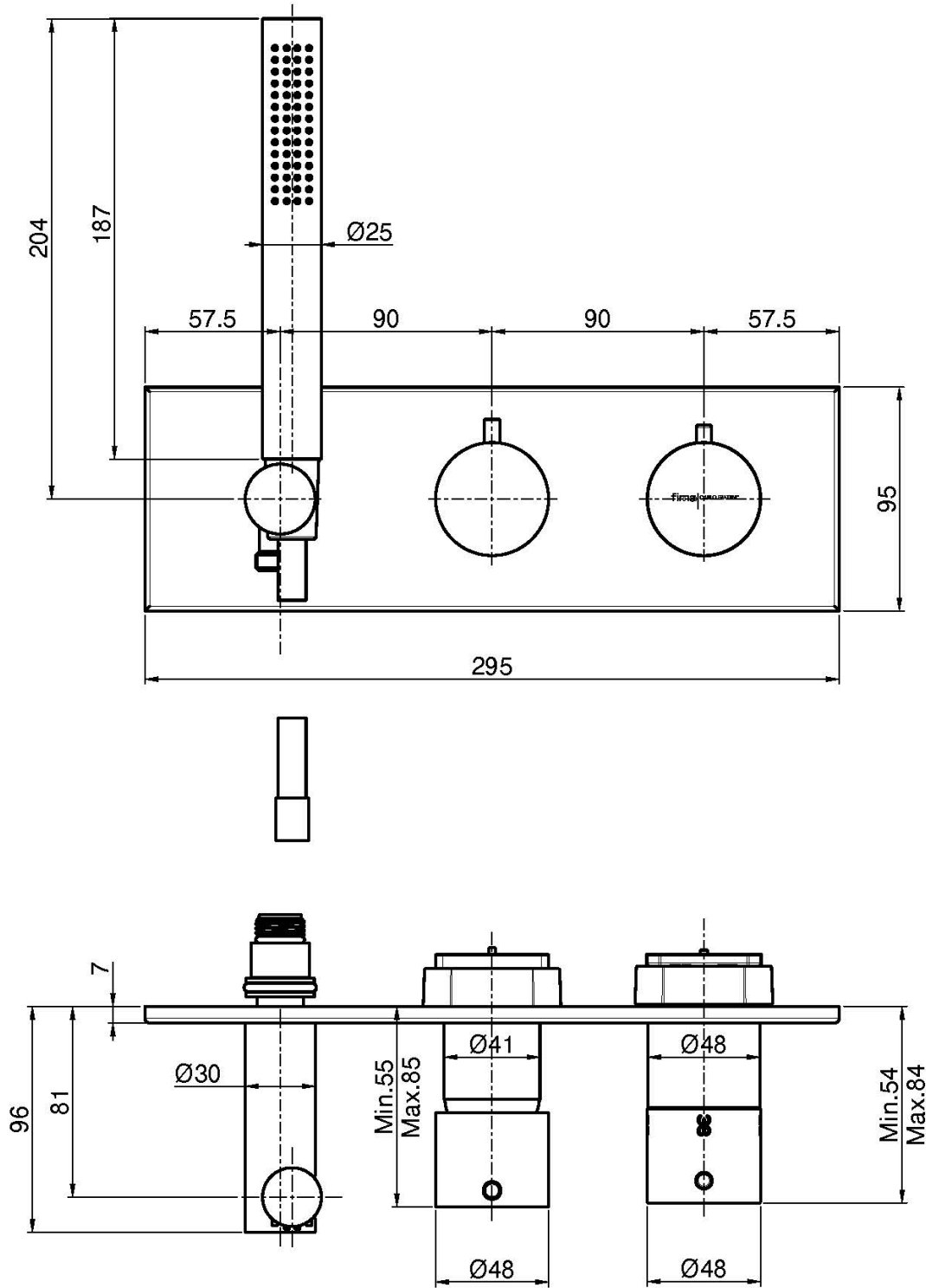
-  CHROM  
CR
-  BRUSHED NICKEL  
SN
-  BLACK CHROME  
CN
-  BRUSHED BLACK CHROME  
CS
-  WHITE MATT  
BS
-  BLACK MATT  
NS
-  GOLD  
OR
-  BRUSHED GOLD  
OS
-  OLD BRONZE  
BR
-  ANTIQUE COPPER  
RA

### PRODUCTS NEEDED TO BE ORDERED SEPARATELY

#### Built-in part



See the general sales conditions in our current pricelist



This drawing is the property of FIMA Carlo Frattini. Any complete or partial reproduction, or any transmission to third party without FIMA Carlo Frattini authorization is forbidden.

