

Code F4074

EXPOSED THERMOSTATIC BATH MIXER WITH SHOWER SET

- n. 2 eccentric couplings 1/2"
- Chromalux flexible hose 1500 mm
- ABS handshower with antilimestone nozzles
- shower holder
- diverter

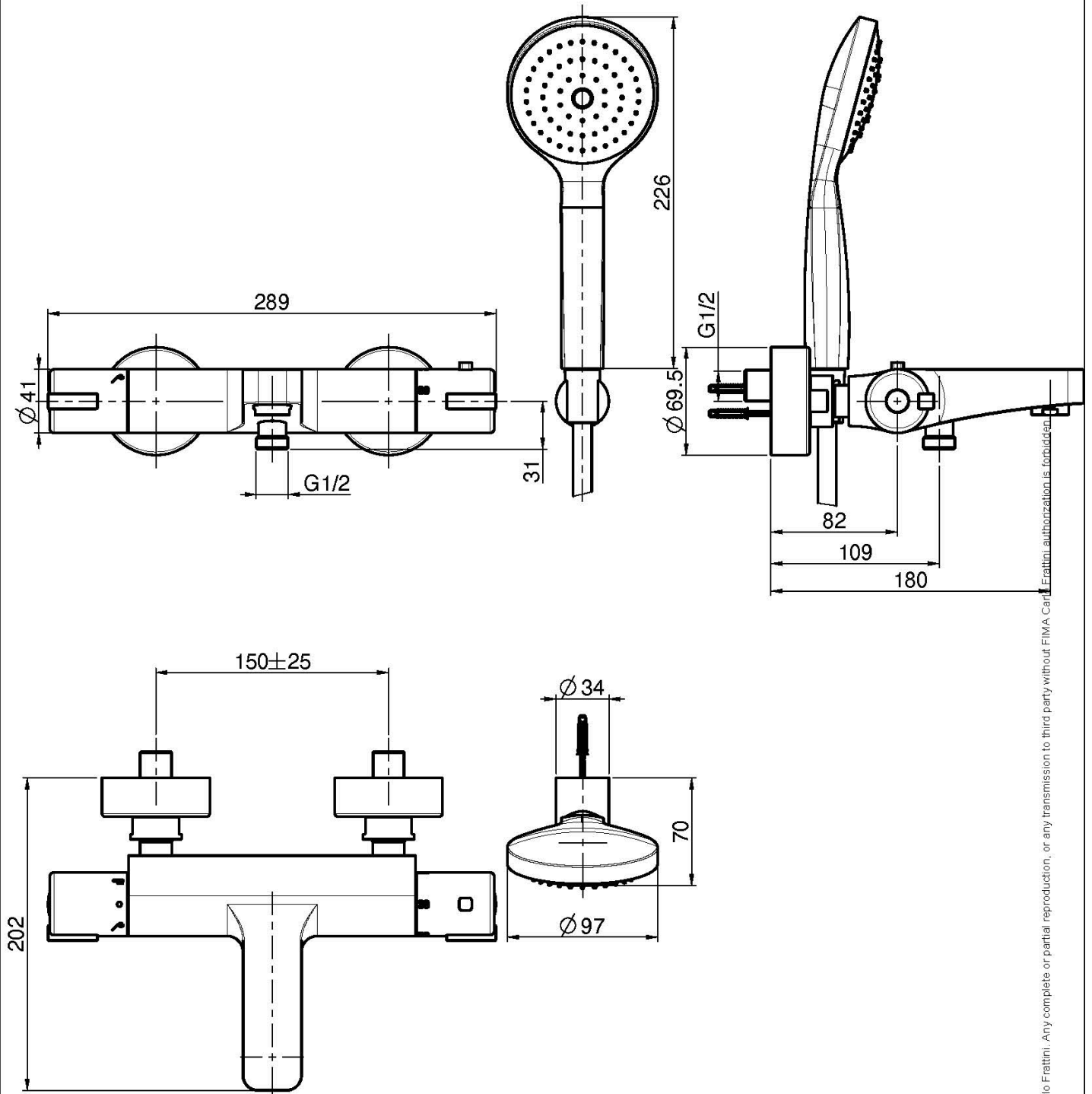
Finishing

 CHROM
CR

IMAGE



See the general sales conditions in our current pricelist



This drawing is the property of FIMA Carlo Frattini. Any complete or partial reproduction, or any transmission to third party without FIMA Carlo Frattini authorization is forbidden.