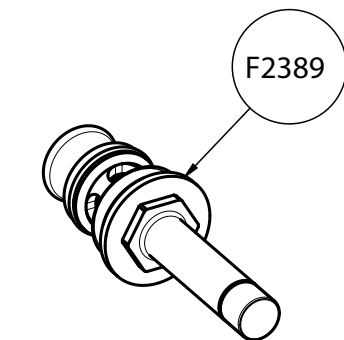
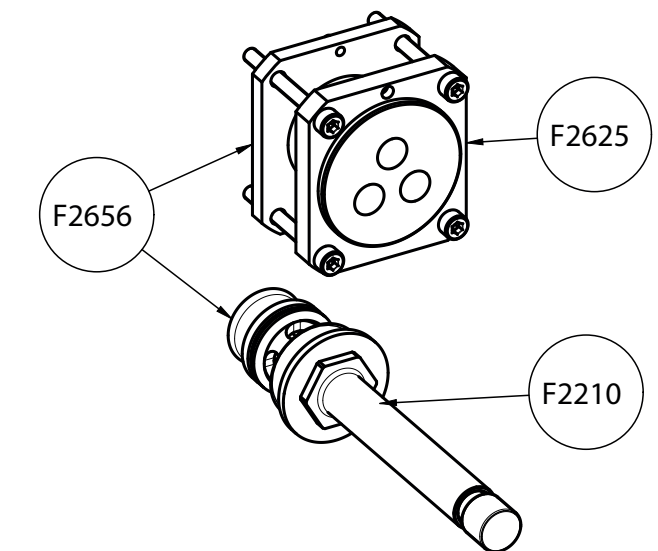
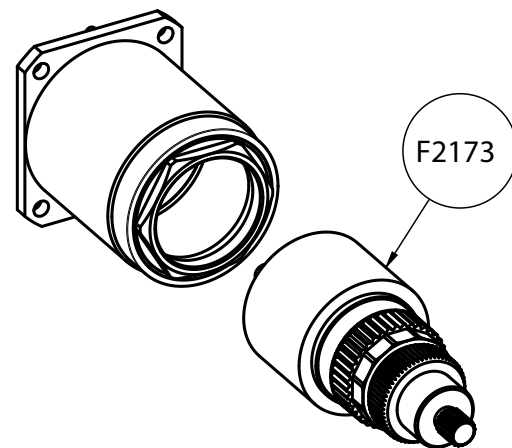
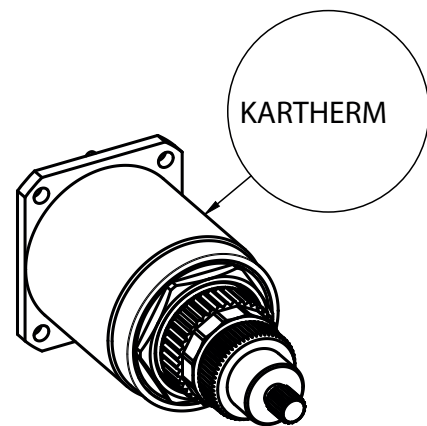


+15mm



+30mm